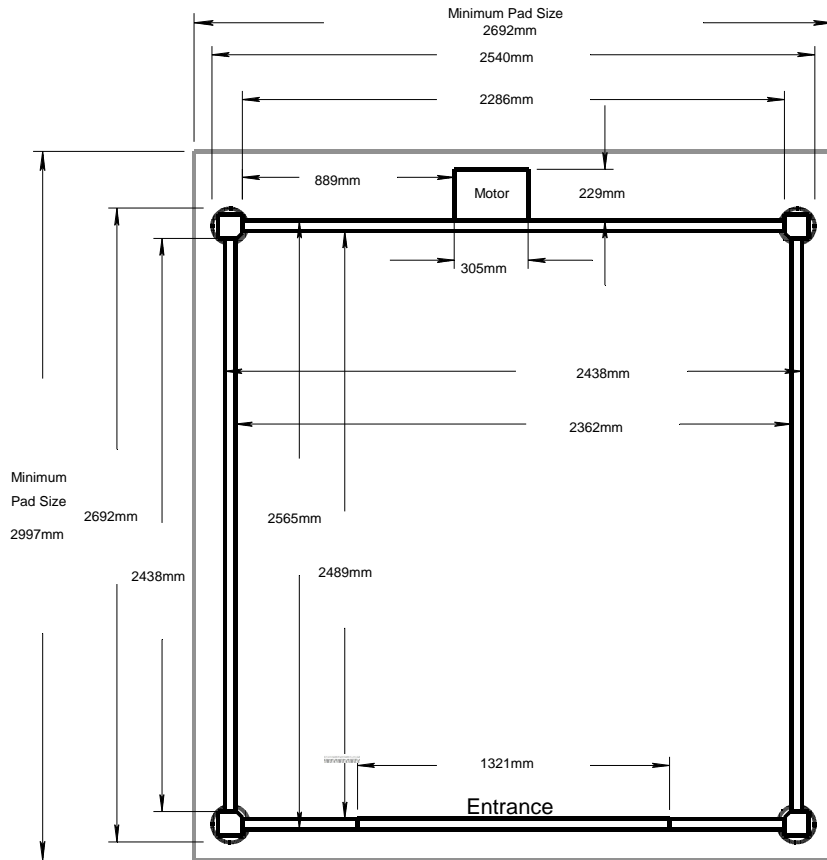
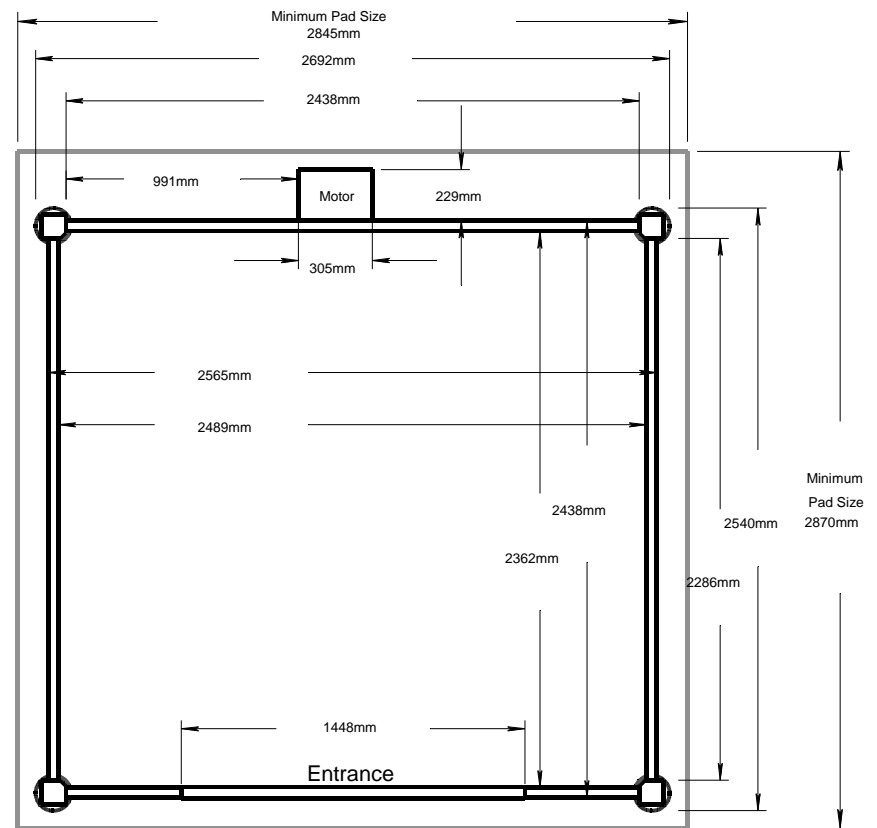


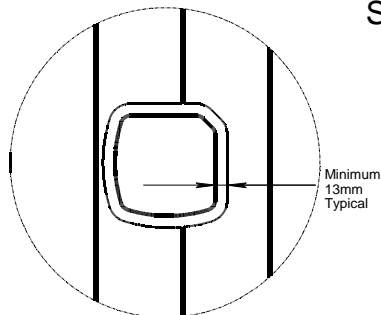
C3 Frame Dimensions/Foot Print



Standard Model

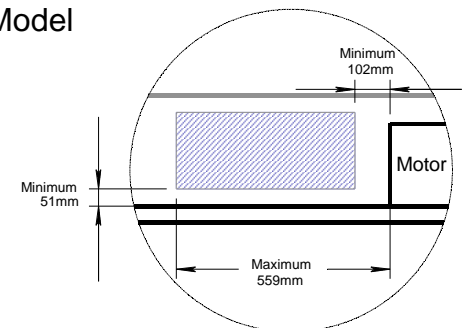


Long Side (LS) Model



Required Post to Deck Clearance

Please Note: Standard or LS needs to be specified at time of order.



Electrical Conduit Location (Typical)